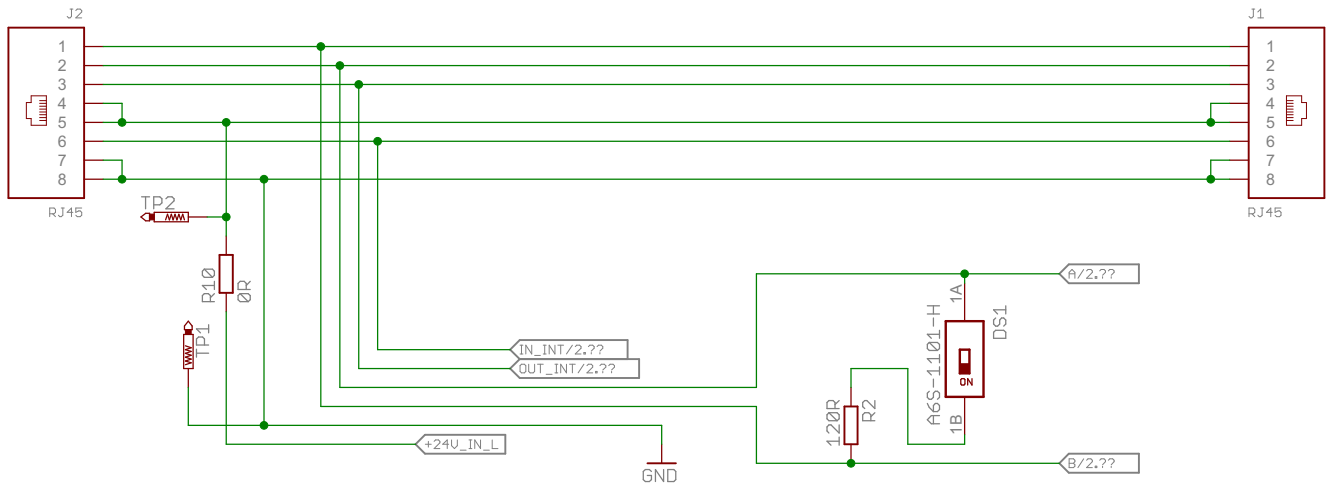
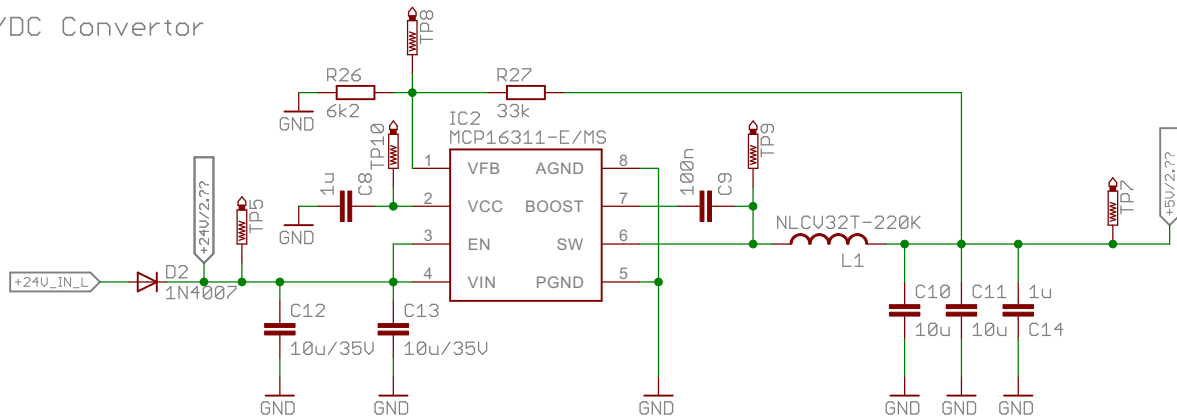


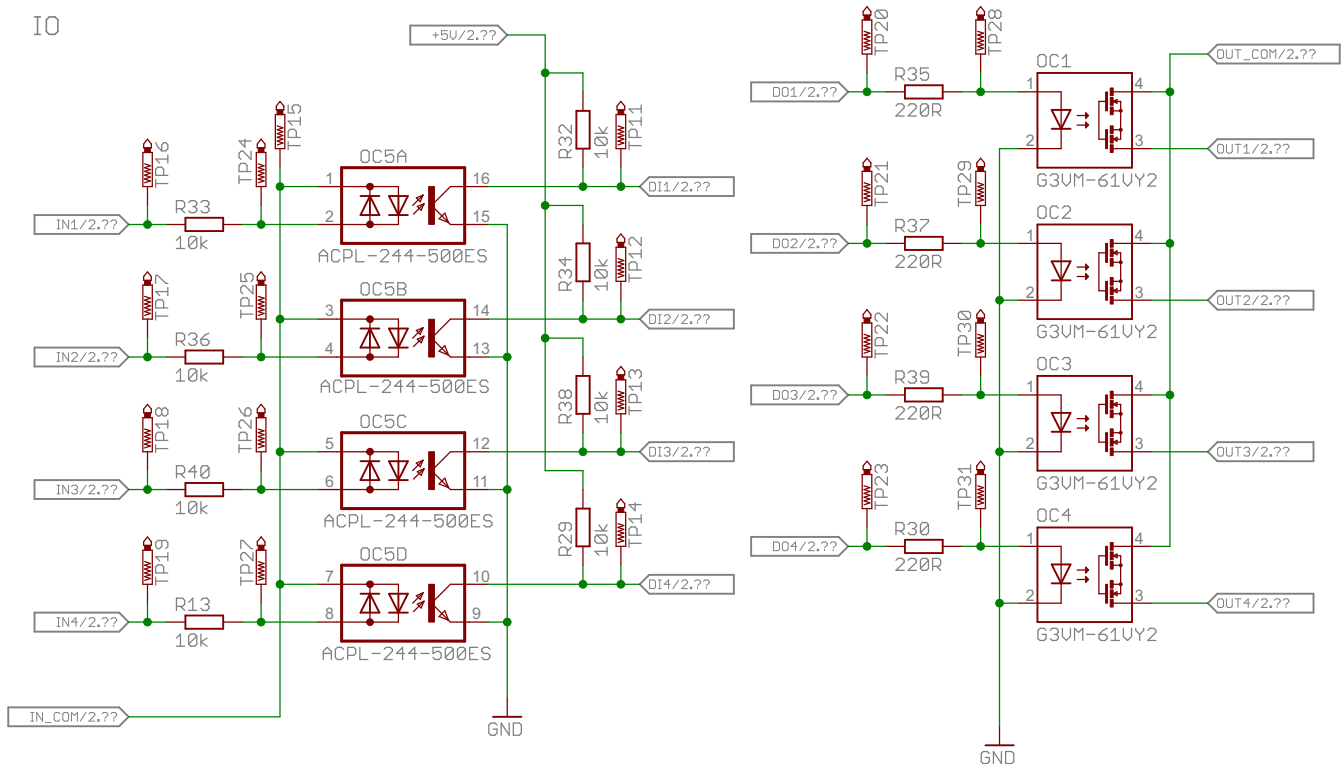
### Input Connections



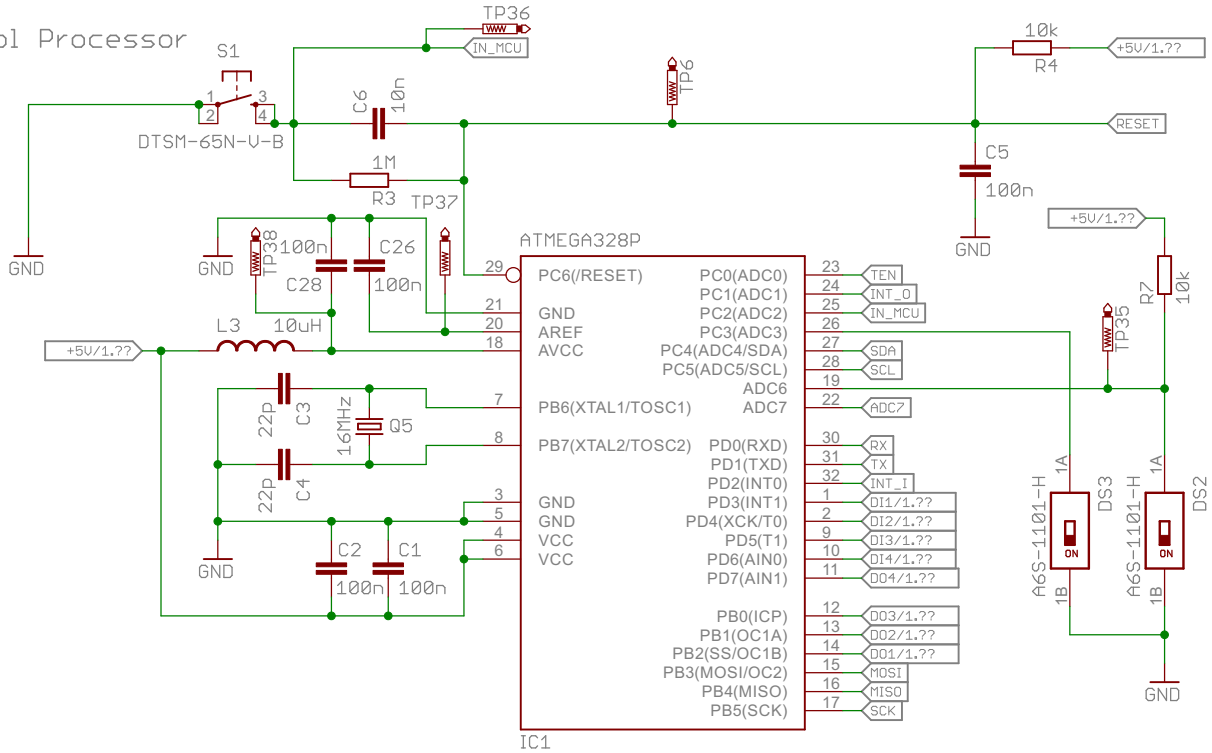
### DC/DC Converter



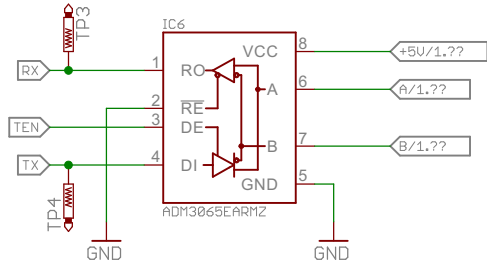
### IO



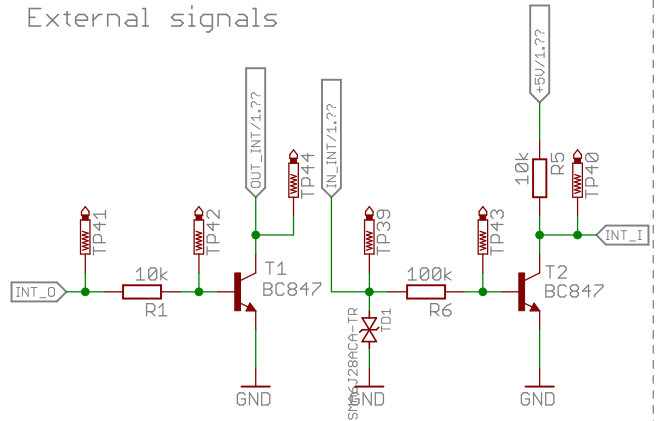
Control Processor



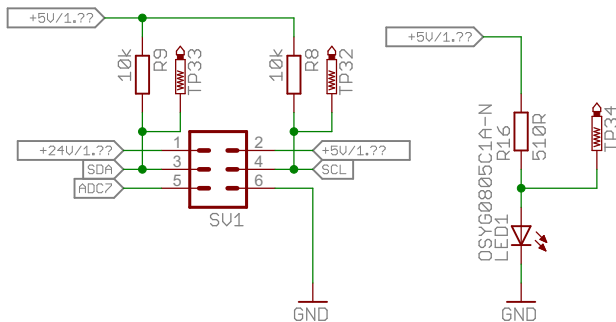
RS485 Transceiver



External signals



I2C Output & Identification LED



Sandwich connectors

